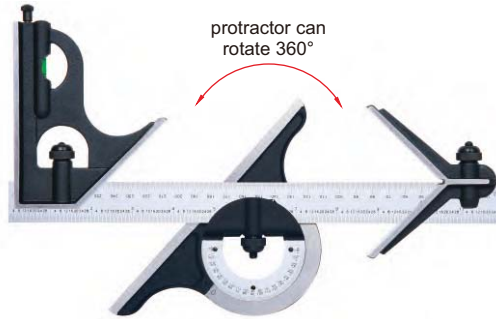
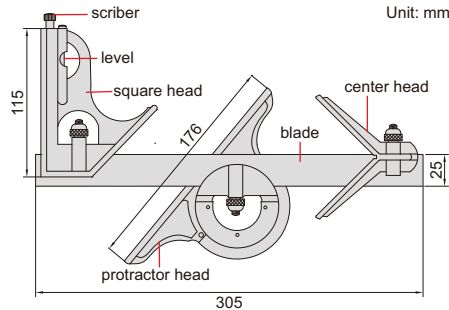


COMBINATION SQUARE SET



2274-4

- Center head (made of cast iron): to locate center of cylinders with diameter (\varnothing d): 30-100mm accuracy: $\pm 0.15\text{mm}$
- Protractor head (made of cast iron): set the blade at desired angle to an edge of a workpiece, and can be used to measure angles range: 0-180° accuracy: $\pm 20\text{min}$.
- Square head (made of cast iron): set the blade at 90° or 45° to an edge of a workpiece accuracy: $\pm 8\text{min}$ for 90° square, $\pm 10\text{min}$ for 45° square
- Blade (made of stainless steel): range: 300mm/12", graduation: 0.5mm and 1/32" on front face, 1mm and 1/64" on back face
- Optional accessory: rigid rule (code 7113)



Code	Remark
2274-4	4-piece set

